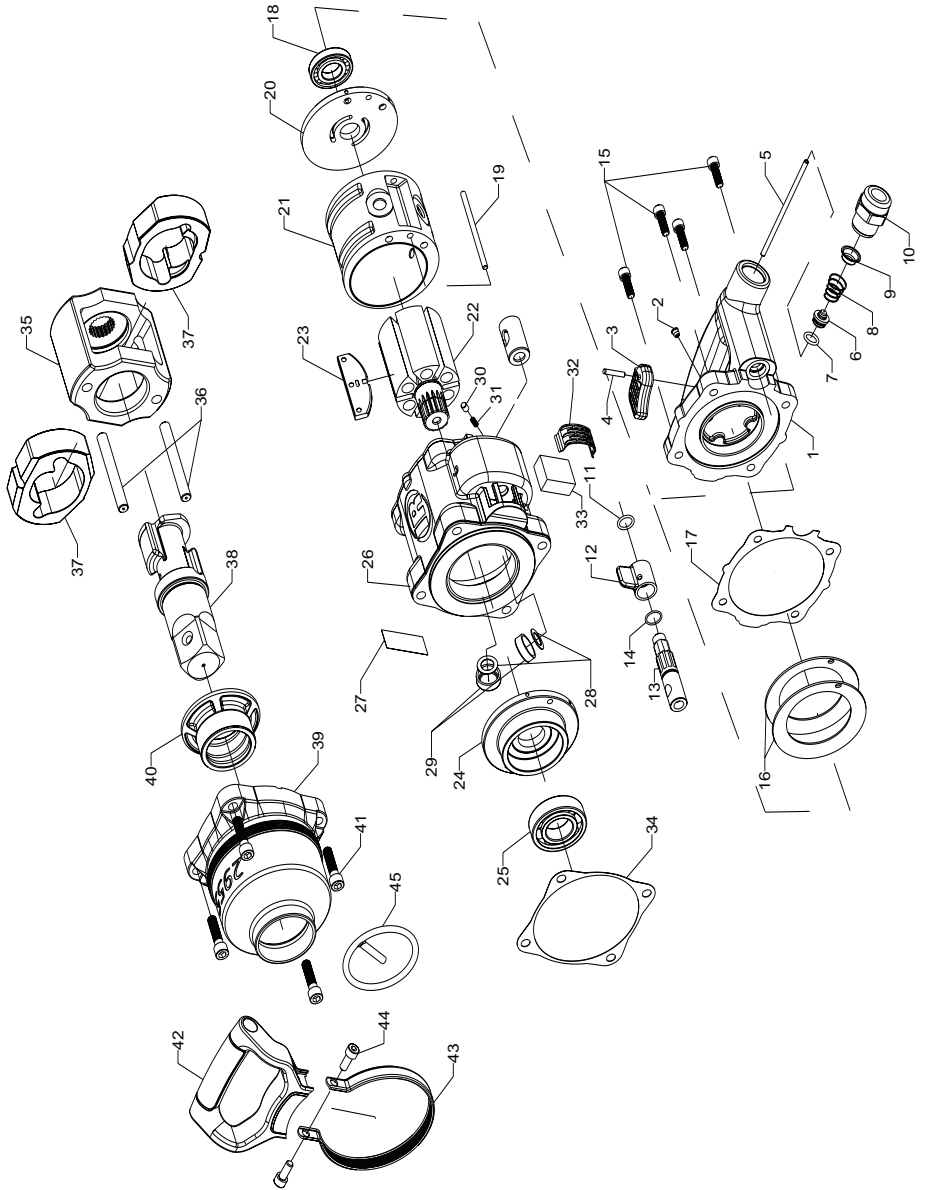


2955B2 Air Impact Wrench - Exploded View



(Dwg. 2955B2)

2955B2 Air Impact Wrench - Parts List

Item	Part Description	Part Number	Item	Part Description	Part Number
1	Handle Assembly	TA-2955-92	† 25	Front Rotor Bearing	TA-22A
2	Grease Fitting	1305R-188	26	Motor Housing Assembly	TA-2955-40AD
3	Trigger	TP-2955-93RD	*	Reverse Valve Bushing	---
4	Trigger Pin	280-265	27	Warning Label	WARNING-2-99
5	Throttle Valve Plunger	3955-302	† 28	Air Port Gasket Retainer (2 Required)	2940-200
† 6	Throttle Valve Assembly	2934-A50	‡ † 29	Air Port Gasket (2 Required)	R44H-210A
‡ † 7	Throttle Valve Seal	2934-159	† 30	Reverse Lock Plunger	4U-663B
† 8	Throttle Valve Spring	834-51-5	† 31	Reverse Lock Plunger Spring	4U-664-10
‡ † 9	Air Strainer Screen	434-61	32	Exhaust Deflector	3940-123
10	Straight Inlet	845-565	† 33	Exhaust Silencer	3940P-311
‡ † 11	Reverse Valve Seal	R00BR-210	† 34	Gasket, Hammer Case	3955-36
12	Reverse Lever	TP-2955-75RD	35	Hammer Frame Assembly	2950-A703
13	Reverse Valve	3955-329	36	Hammer Pin (2 Required)	2950-704
‡ † 14	Reverse Valve Bushing Seal	85H-167	37	Hammer (2 Required)	TP-2955-724
15	Cap Screw, Handle (4 Required)	3955-638	38	Anvil	2950-726
16	Motor Clamp Washer (2 Required)	MR-207	39	Hammer Case Assembly	TD-2955-727AD
‡ † 17	Gasket, Handle	3955-283	40	Bushing, Hammer Case	TP-3955-641
† 18	Rear Rotor Bearing	834-24	41	Cap Screw, Hammer Case (4 Required)	3955-105
19	Cylinder Dowel	2950-98	42	Auxiliary Handle Kit	TK-2955-048
20	Rear End Plate	TP-2955-012	43	Strap, Auxiliary Handle	---
21	Cylinder	2950-3	44	Cap Screw, Auxiliary Handle	---
22	Rotor	2950-53	45	Socket Retainer	RR100205
‡ † 23	Vane Pack (Set of 6)	TK-2955-42-6	*	Tune-up Kit (Includes: 6, 7, 8, 9, 11, 14, 17, 18, 23, 25, 28[2], 29[2], 30, 31, 33, 34)	TK-2955-TK1
24	Front End Plate	TP-2955-011			

* Indicates not illustrated.

† Indicates Tune-Up Kit part.

‡ Indicates common wear parts. Maintain stock to reduce downtime.

Parts and Maintenance

When tool life has expired, it is recommended that the tool be disassembled, degreased and parts separated by material for proper recycling.

Tool repair and maintenance should only be carried out by an authorized Service Center.

Refer all communications to the nearest **Ingersoll Rand** office or distributor.

Related Documentation

Manuals can be downloaded from ingersollrand.com

For additional information, refer to:

Product Safety Information Manual 04580916.

Product Information Manual TL-2955-PIM.

Declaration of Conformity TL-2955-DOC and TL-2955-DOC-UK.